

Department of Mechanical and Mechatronics
Engineering
Engineering Drawing ENME121
Final Exam

Exam duration: 2:30 Hours

2nd Semester May 2019

Problem #1:

For the isometric shown in Figure (1):

- a) Draw the **Top view**.
- b) Draw the Front view in **Full Section A-A**.
- c) Add the necessary dimensions to the two views.

Note:

- *Dimensions are all in mm.
- *Use a scale of 1:1.
- *Start at point Q (265,235) on the Top view
- *Distance between views is 25 mm

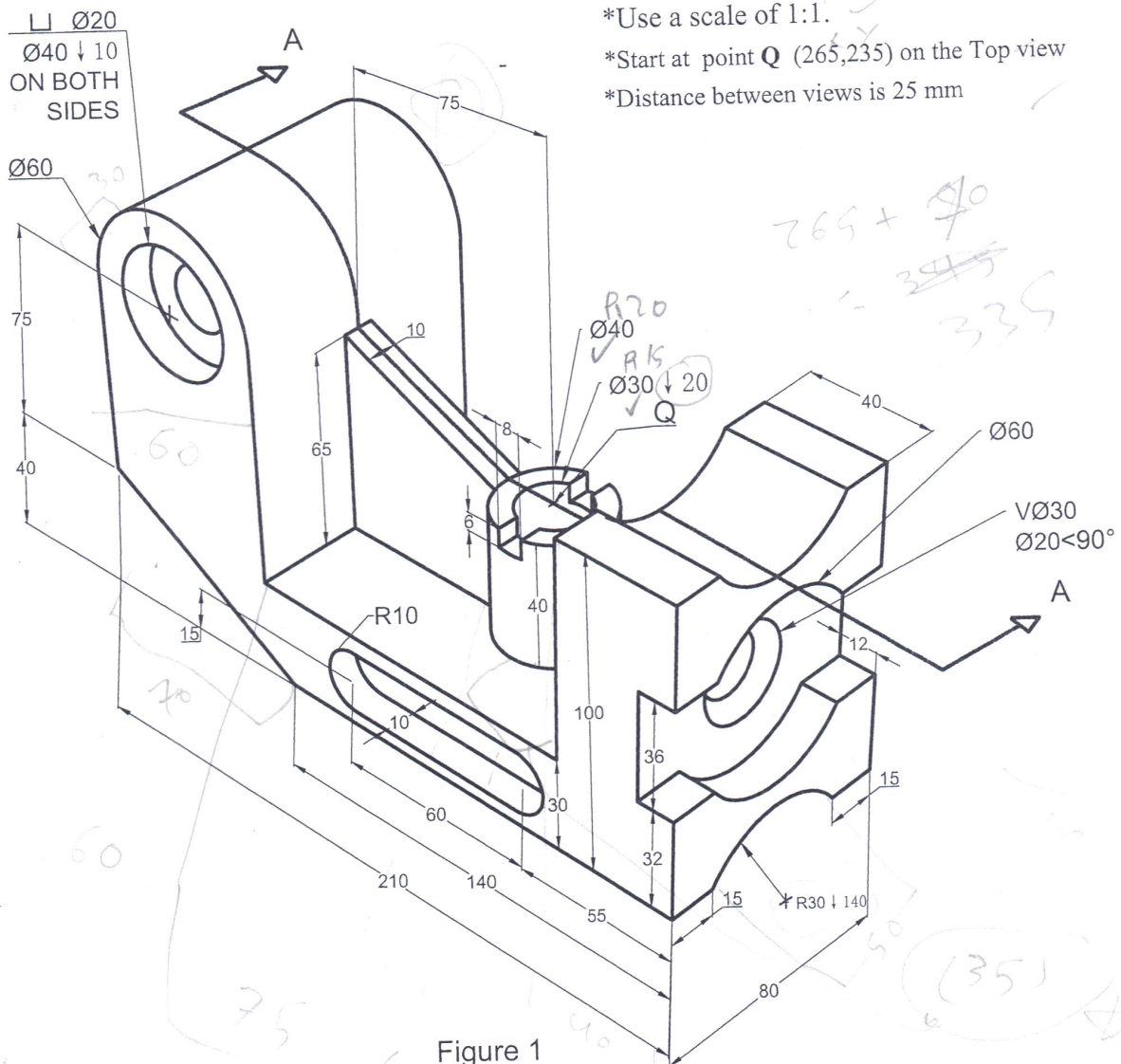


Figure 1
Good Luck :)

Problem #2:

Given the Front and Top views for an object as shown in Figure (2) ,draw the isometric

Note:

- Dimensions are all in mm.
- Use a **scale of 1:1.**
- Start drawing the isometric box from **point A (240,20)** from the lower left corner

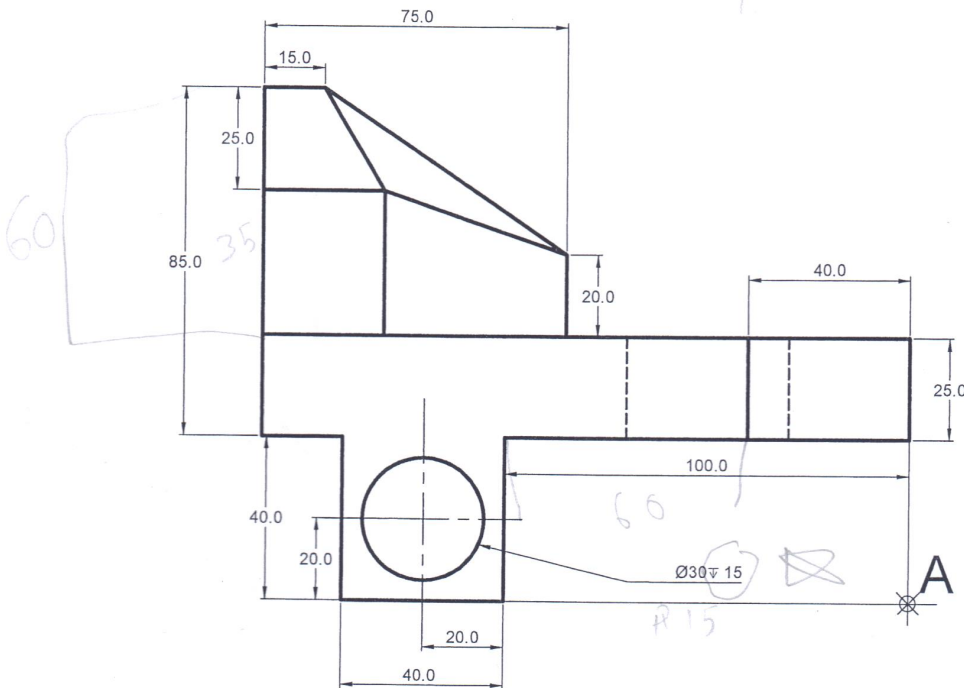
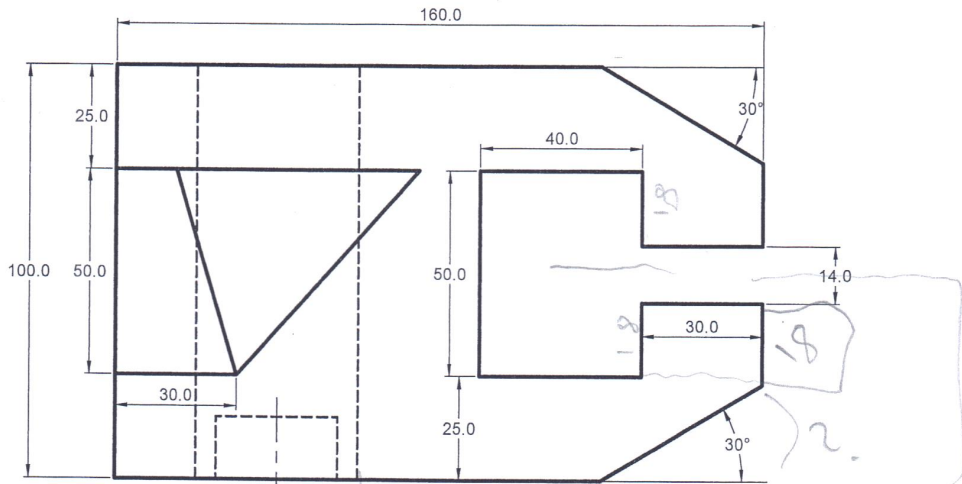


Figure 2
Good Luck :)